

NOTES :

- △ MATERIALS AND FINISH:
  - HOUSING: PA66
  - CONTACTS: COPPER ALLOY, FINISH: TIN OVER NICKEL UNDERPLATE
  - SPRING: STAINLESS STRIP STEEL

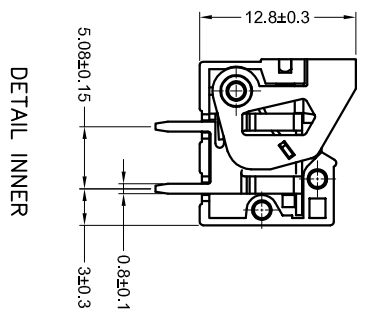
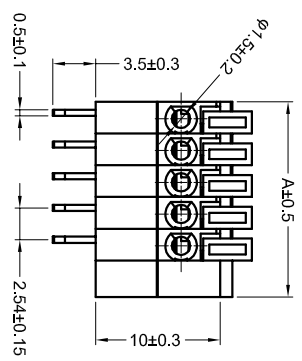
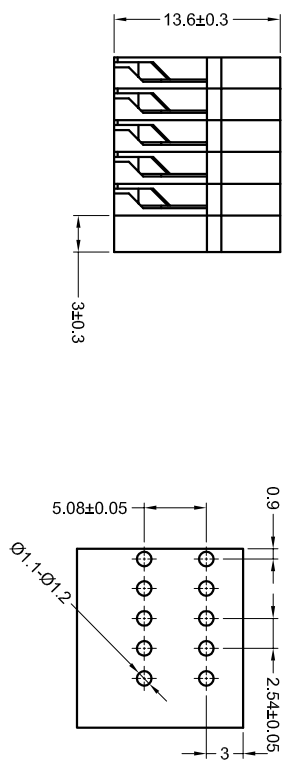
2. MUST COMPLY WITH DIRECTIVE 2002/95/EC (ROHS)

3. WIRE TYPES AND SIZES ACCEPTED  
 WIRE RANGE: 20AWG~26AWG.  
 STRIP LENGTH: 9.5mm~10.5mm

4. PACKAGED IN TRAY.

5. CURRENT RATING: 6Amp AC150V.

6. OPERATION TEMPERATURE: -40°C TO +105°C



COLOR CODE: \_\_\_\_\_

SERIES CODE \_\_\_\_\_

PIN No: \_\_\_\_\_

P/N: \*-2834016-\*

- |          |          |
|----------|----------|
| 1=GREEN  | 2=2 POSN |
| 2=BLUE   | 3=3 POSN |
| 3=BROWN  | 4=4 POSN |
| 4=ORANGE | 5=5 POSN |
| 5=GREY   | 6=6 POSN |
| 6=RED    | 7=7 POSN |
| 7=YELLOW | 8=8 POSN |
| 8=PURPLE |          |
| 9=WHITE  |          |
| 0=BLACK  |          |

REMARK: THE DIFFERENT COLORS COULD BE COMBINED TO THE NEW CONNECTOR P/NS FOR CUSTOMER REQUEST.

23.32	8 POSN	A	NO. OF POSITIONS
20.78	7 POSN		
18.24	6 POSN		
15.70	5 POSN		
13.16	4 POSN		
10.62	3 POSN		
8.08	2 POSN		

THIS DRAWING IS A CONTROLLED DOCUMENT

DESIGNER	CHKD	DATE
SHI MING	13 JAN 2015	
PRODUCT NAME	PRODUCT CODE	VERSION
108-137080	114-137080	

2.54mm Pitch Modular Screwless Conn.

SIZE: A2 CODE: 00779 ©-2834016

SCALE: 1:1 SHEET: 1 OF 1 REV: A